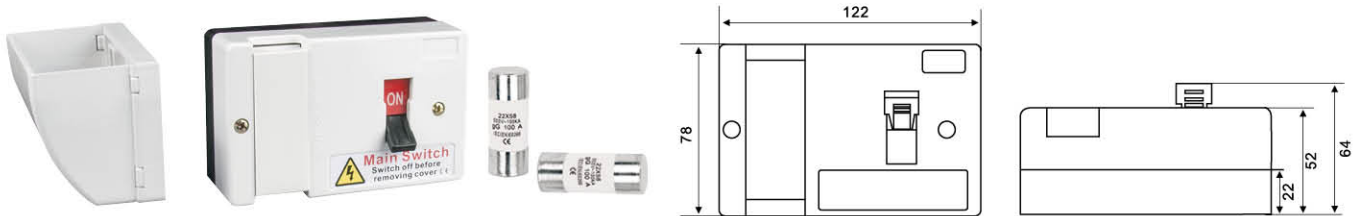


## ⦿ Fused Main Switch

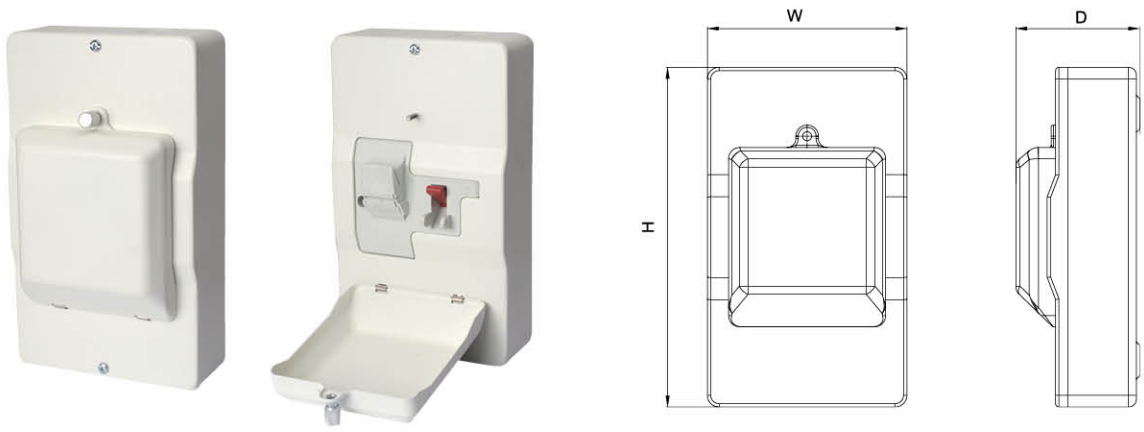
- ◆ Manufactured from non combustible bakelite material
- ◆ Supplied c/w cable shroud
- ◆ Supplied c/w 80Amps & 100Amps fuses- gG general purpose fuse for conductor protection
- ◆ Can accommodate a maximum cable capacity of 35mm<sup>2</sup>
- ◆ Can only be removed when in the OFF position
- ◆ 100Amps/AC21
- ◆ Ideal for the protection & isolation of incoming supplies up to 100A
- ◆ Manufactured to BS EN 60947-3



Part No.	Description	Box Qty
LFS100	100A Switchfuse c/w 80 & 100A fuse and shroud	30

## ⦿ Metal Switch Fuse

- ◆ Fully enclosure Non combustible steel body, complies with BSEN 61439-3
- ◆ Retained cover closure screw
- ◆ 32mm Diameter standard Knock-out on the top and bottom
- ◆ With seal facility on terminal screw cover preventing accidental contact
- ◆ LIVE and Neutral cable capacity 16mm<sup>2</sup> min and 35mm<sup>2</sup> Max
- ◆ Fuse Switch complies with BSEN60947-3
- ◆ Supplied c/w 80Amps fuse-gG general purpose fuse for conductor protection
- ◆ 100Amps fuse is a separate purchase



Part No.	Description	Box Qty	Dimensions		
			W	H	D
MSFU100	Metal Main Switch fuse c/w 80A fuse	6	178	303	108